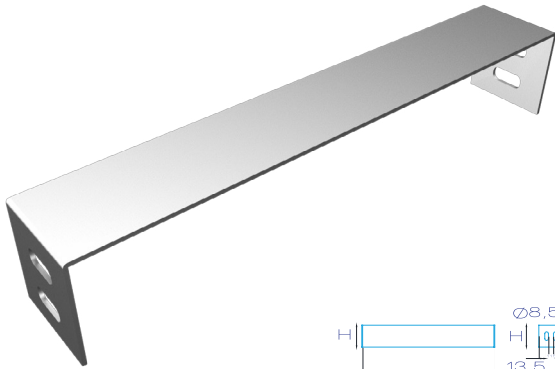


Stop End (End Cup)



Material & Finish Options:

PG pregalvanised steel EN 10142

H	W	⌚	🛒
Height (H) (mm)	Width (W) (mm)	"Weight kg/pc"	Order Code (PG)
50	100	0,14	GV520616102
50	150	0,16	GV520616103
50	200	0,19	GV520616104
50	250	0,22	GV520616105
50	300	0,25	GV520616106
50	400	0,31	GV520616107
50	450	0,34	GV520616108