

Rooftop Mounting System

More than you imagine

The Unistrut range of products have been designed to offer an economical & time saving solution for mounting building services, such as pipe work, electrical containment, airconditioning & refrigeration equipment on flat roofs.

The unistrut range has two core products :
The **Stand Alone Foot** & the **Unistrut H-Frame**.

The Unistrut H-Frame

This system can be used to support small & large ducting, pipe work or electrical containment. All the components come complete in a box, simply add your own lengths of strut to create the size of H-frame you require.

Benefits

Cost saving, fast & easy to install

No penetration of waterproof membrane.

The Unistrut range of products can be used for individual product installations or combined to support complete roof plant installations.



H-Frame Set - R305305HKIT

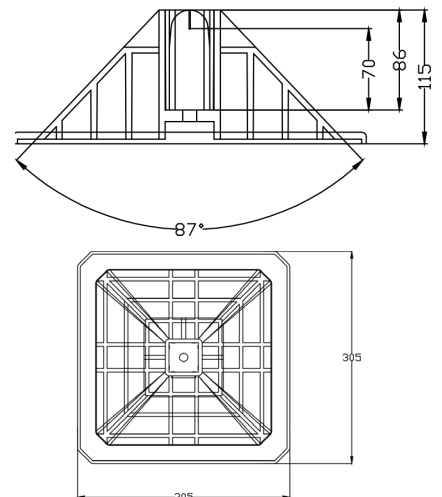
Includes : 2x Unistrut 305 mm x 305mm Feet, 2x Anti Vibration Pads, 2x Angled Brackets, 4 x M10 Bolts, 4 x M10 Channel nuts

Stand Alone Foot - R30530575FOOT

Length (mm)	Width (mm)	Height (mm)	Load (kg)
305	305	75	350

Stand Alone Foot - R250150100FOOT

Length (mm)	Width (mm)	Height (mm)	Load (kg)
250	150	100	200



UNISTRUT®

Unistrut Ltd.

Delta Point, Greets Green Rd. West Bromwich. B70 9PL

T: 0121 580 6300 F: 0121 580 6364 @: uksales@unistrut.com

A PART OF **atkore**
INTERNATIONAL