

# Cable Trunking

## Fast and Flexible

The Unistrut Trunking system is designed to be quick and simple to assemble, providing real time saving as well as remaining a reliable product throughout its natural life cycle.

Preassembled Internal Trunking Connectors allow you to securely connect trunking lengths in seconds, giving a neat external finish.

### Advantages

Internal trunking connectors - safer external finish

Unique secure-lock turnbuckle - locked in place

Complete range of accessories including,

Gusseted and square bends,

top, inside and outside lid options

\* Supplied with fishplate couplers as standard, picture shows optional C coupler



### Standard Cable Trunking

Unistrut Standard Cable Trunking contains a comprehensive range of metal products, accessories and fixings to suit all the electrical cable market needs.

Available in 3m lengths with dimensions from 50mmx50mm to 150x150mm, as standard and 300x300 by order, available in [PG] Pre-galvanised steel finish, powder coating as an option.

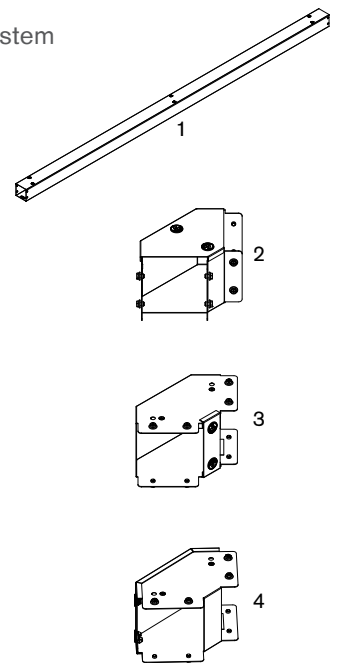
### Lighting Trunking

Available in 3m lengths with dimensions from 50mmx50mm and range of lighting fittings to suit.



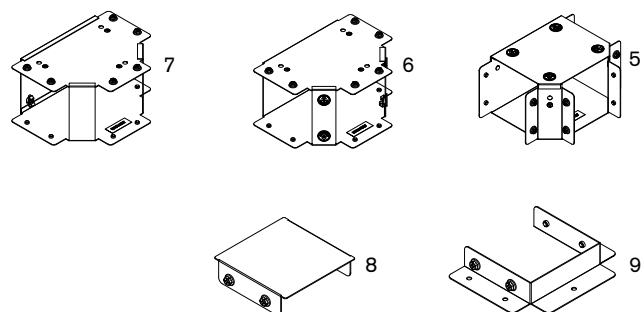
A small selection of our Trunking Range is available below. For the full Cable Trunking System please refer to our Trunking Brochure or the Unistrut Cable management Catalogue

Standard Trunking (One compartment as standard)						
Fittings			Trunking Size (mm) / Size Code			
Size (mm)	Size Code	Number	50xa50	75x75	100x100	150x150
	Size Code		22	33	44	66
<b>3mtr Lengths (Inc Lid &amp; Coupler)</b>						
Standard Trunking		1	RU22	RU33	RU44	RU66
<b>90° Bends</b>						
Top Lid 90° Gusset Bend		2	RU22GBT90	RU33GBT90	RU44GBT90	RU66GBT90
Inside Lid 90° Gusset Bend		3	RU22GBI90	RU33GBI90	RU44GBI90	RU66GBI90
Outside Lid 90° Gusset Bend		4	RU22GB090	RU33GB090	RU44GB090	RU66GB090
<b>Tees</b>						
Top Lid Gusset Tees		5	RU22GTT	RU33GTT	RU44GTT	RU66GTT
Inside Lid Gusset Tees		6	RU22GTI	RU33GTI	RU44GTI	RU66GTI
Outside Lid Gusset Tees		7	RU22GTO	RU33GTO	RU44GTO	RU66GTO



Replace the symbols ●● with the size code.

Accessories			
Fittings			
	Number	Code	
<b>Standard Trunking</b>			
Stop Ends	8	RU●●E	
Flanges	9	RU●●F	



**UNISTRUT**

A PART OF **atkore**  
INTERNATIONAL